

ZL-1503 *Zwei L* Stainless Steel Door Handle

Features

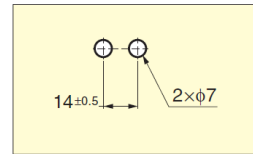
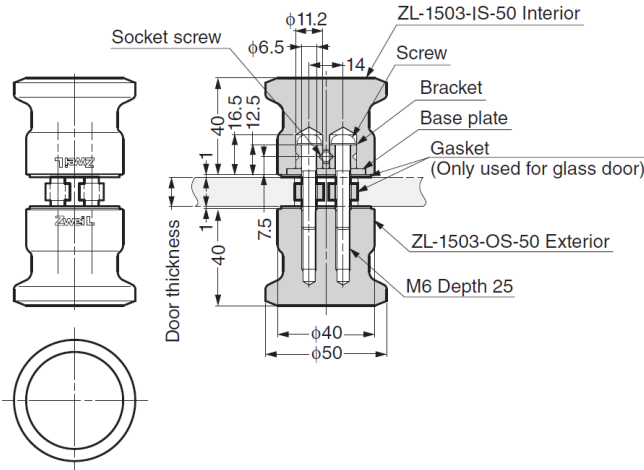
- Superior "Zwei L Finish" - *Zwei L* represents the very pinnacle of ultra-premium Japanese hardware design. The contrasting bands of mirror finish and lustrous satin on a faceted profile give a jewel like finish that highlights and enhances any industrial design

Parts Included

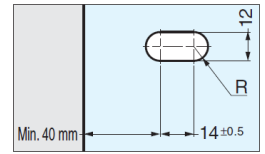
- Bolt set for door knob
- Allen key
- Gasket

Material

- Stainless steel 316, *Zwei L* finish



**Cut Out Dimensions
(For Wood)**



**Cut Out Dimensions
(For Glass)**

Part No.	Type	Door Thickness
ZL-1503-IS-50	Interior Knob	Wooden / Metal Frame: 36 ~ 48 Glass: 6, 8, 10, 12
ZL-1503-OS-50	Exterior Knob	
ZL-1503-WN-50	Back-to-Back Knob	

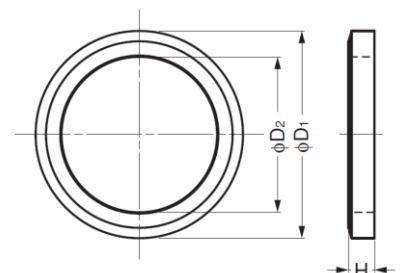
ZL-2502 Stainless Steel Door Knob

Features

- Superior "Zwei L Finish" - *Zwei L* represents the very pinnacle of ultra-premium Japanese hardware design. The contrasting bands of mirror finish and lustrous satin on a faceted profile give a jewel like finish that highlights and enhances any industrial design
- Designed to install with UV curing

Material

- Stainless steel 316, *Zwei L* finish



Part No.	D ₁	D ₂	H
ZL-2502-56	56	38	6
ZL-2502-80	80	53	10